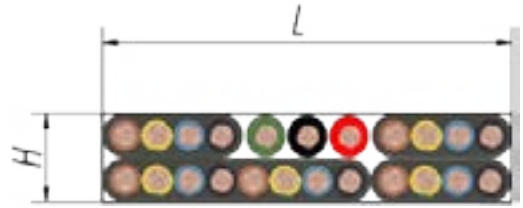


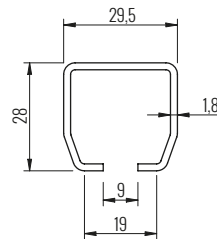
MAXIMUM CABLE BUNDLE: L x H = 56 x 15 mm

MAX. LOAD: 40 kg. per trolley

LENGTH OF PROFILES: 4 m.

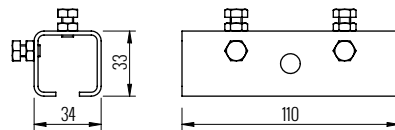


## RUNNING TRACK Ref. RG2801



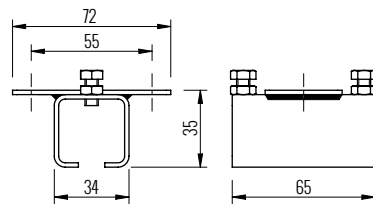
Length of bars	Material	Weight
4 m	Galvanized steel	0,980kg/m

## JOINT Ref. RG2802



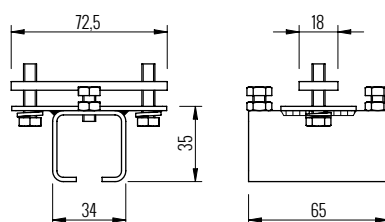
Material	Weight
Zinc plated steel	0,325 kg

## JOINT Ref. RG2803



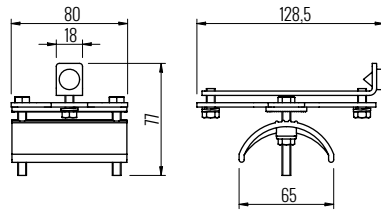
Material	Weight
Zinc plated steel	0,114 kg

## ADJUSTABLE SUPPORT Ref. RG2803R



Material	Weight
Zinc plated steel	0,126 kg

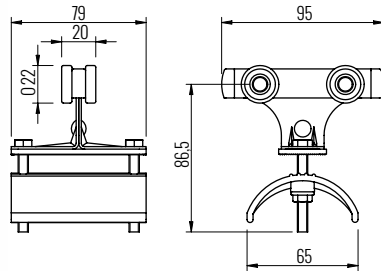
END CLAMP Ref. RG2804



Admissible load	Material	Weight
40 kg	Zinc plated steel casing Polyamide saddle 6.6 Rubber-metal stop	0,245 kg

Option with saddle made from zinc plated sheet  
Ref. RG2804CH

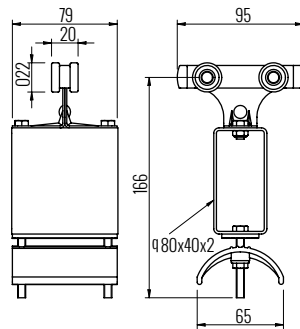
CABLE TROLLEY Ref. RG2805



Admissible load	Material	Weight
40 kg	Zinc plated steel casing Polyamide saddle 6.6 Steel ball bearings	0,250 kg

Option with saddle made from zinc plated sheet  
Ref. RG2805CH

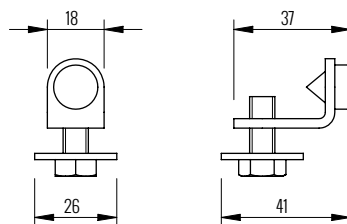
TOWING TROLLEY Ref. RG2806



Admissible load	Material	Weight
40 kg	Zinc plated steel body Zinc plated steel tube Polyamide saddle 6.6 Steel ball bearings	0,510 kg

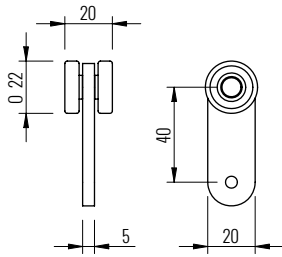
Option with saddle made from zinc plated sheet  
Ref. RG2806CH

FINAL STOP Ref. RG2807MS



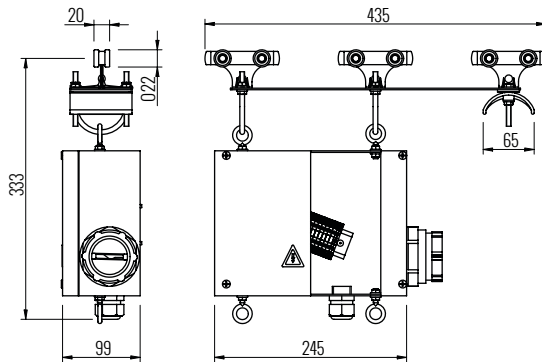
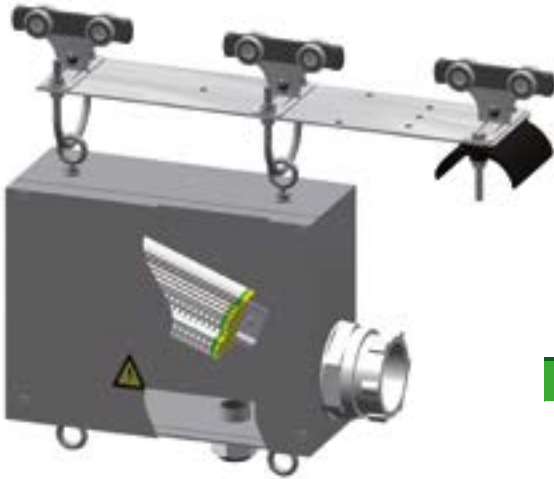
Material	Weight
Zinc plated steel Rubber-metal stop	0,050 kg

**TROLLEY FOR EXHIBITORS Ref. RG2885**



Admissible load	Material	Weight
40 kg	Zinc plated steel casing Steel ball bearings	0,080 kg

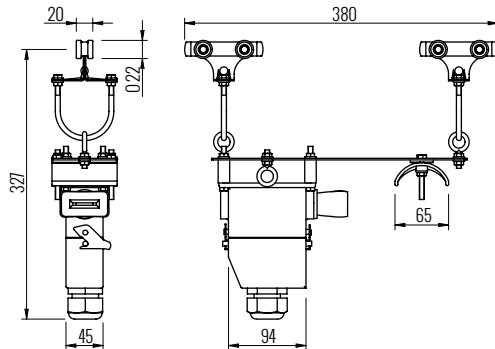
**TOWING TROLLEY TERMINAL BOX 24 POLES Ref. RG8009**



Glands	Material	Weight
Polyamide PG48 for flat cable Polyamide PG21 for terminal cable	Zinc plated steel casing Polyamide saddle 6.6 Steel ball bearings Plastic box of 245x185x99 mm 24 terminals in profile Ω	3,385 kg

Option with saddle made from zinc plated sheet  
Ref. RG2809CH

**TOWING TROLLEY TERMINAL BOX 16 POLES Ref. RG8009SC**



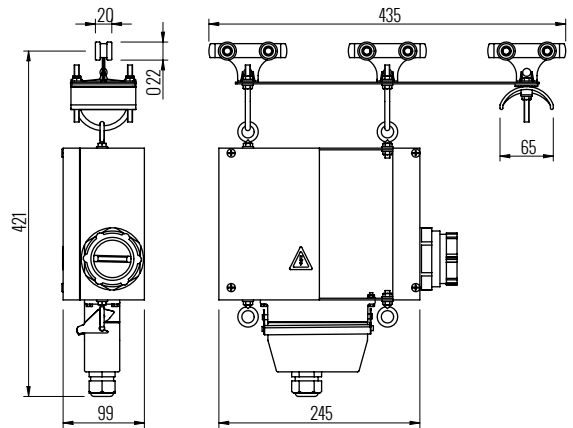
Quick plug	Material	Weight
Standardized metallic male-female of 16 poles	Zinc plated steel casing Polyamide saddle 6.6 Steel ball bearings	3,050 kg

Option with zinc plated saddle:  
Ref. RG2810SCCH

TOWING TROLLEY TERMINAL BOX + QUICK PLUG:



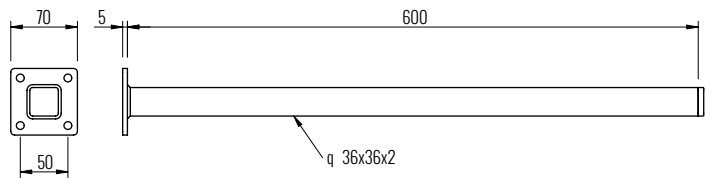
16 Poles **Ref. RG2810**  
 24 Poles **Ref. RG2811**



Quick plug	Glands	Material	Weight
Metallic male female standardized of 16 or 24 poles	Polyamide PG48 for flat cable	Zinc plated steel casing Polyamide saddle 6.6 Steel ball bearings	<b>16 poles</b> 3,510 kg
		Plastic box of 245x185x99 mm	<b>24 poles</b> 3,710 kg

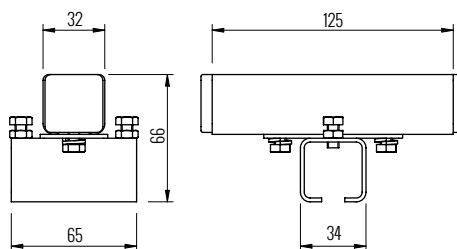
Option with saddle made from zinc plated sheet  
 Ref. RG2810CH  
 Ref. RG2811CH

TOWING ARM Ref. RG2814



Material	Weight
Electro-welded and zinc-plated steel	1,180 kg

CEILING SUPPORT Ref. RG2819

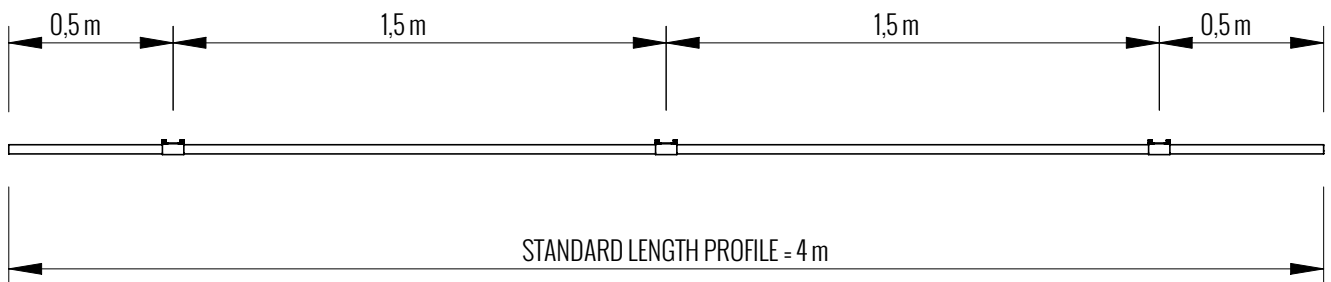


Material	Weight
Zinc-plated steel	0,190 kg

SCHEMATIC ASSEMBLY DESCRIPTION SERIES 28



Supports to be installed approx. every 1.5 m (see diagram)



## UNIVERSAL SUPPORT

We have **Double universal supports** to fix control and power at the same time. Consult us.

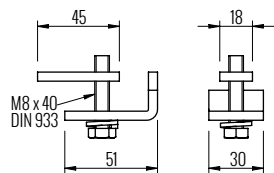
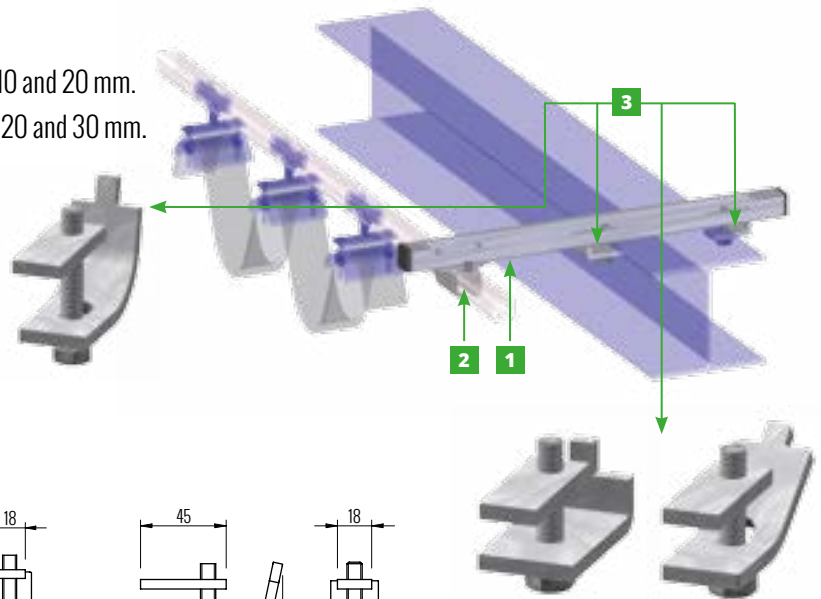
**Ref. RG2813** for beams with flanges of thickness  $\leq 10$  mm.

**Ref. RG2823** for beams with flanges of thickness between 10 and 20 mm.

**Ref. RG2833** for beams with flanges of thickness between 20 and 30 mm.

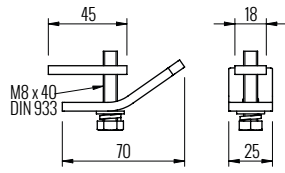
### Series formed by:

- 1** Section 500 mm. of profile Ref. RG2801
- 2** 1 Adjustable support Ref. RG2803R
- 3** 2 Fixing tabs:
  - For series RG2813 Ref. RG2812
  - For series RG2823 Ref. RG2821
  - For series RG28233 Ref. RG2830



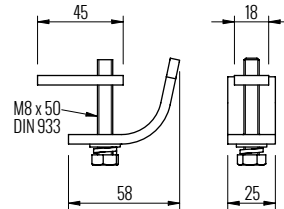
**RG2812**

Flange	Weight
$\leq 10$ mm	0,100 kg



**RG2821**

Flange	Weight
$10 \leq \text{Flange} \leq 20$ mm	0,100 kg



**RG2830**

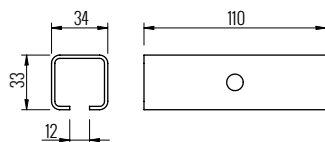
Flange	Weight
$20 \leq \text{Flange} \leq 30$ mm	0,150 kg

## SYSTEM FOR WELDING SERIES 28 Ref. RG2815

We have **Double welding systems** to fix control and power at the same time. Consult us.

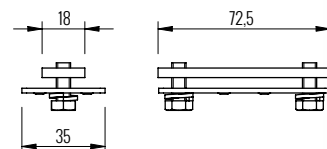
### Series formed by:

- 1** Section 500 mm. of profile Ref. RG2801
- 2** 1 Corbel for welding Ref. RG2816
- 3** 1 Fixing clamp to corbel Ref. RG2817
- 4** 1 Adjustable support Ref. RG2803R



**RG2816**

Weight
0,200 kg



**RG2817**

Weight
0,150 kg

