

MAXIMUM CABLE BUNDLE

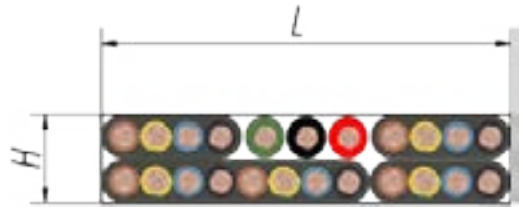
L x H = 56 x 15 mm

MAX. LOAD:

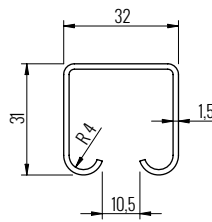
40 kg. per trolley

LENGTH OF PROFILES:

4 m.

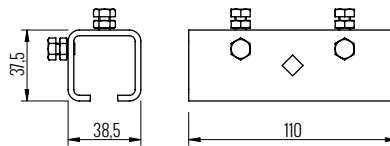


C PROFILE Ref. RG2801



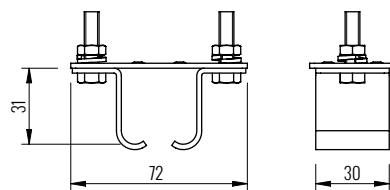
Bar length	Material	Weight
4 m	Galvanized steel	1,250 kg/m

JOINT Ref. RG8002R



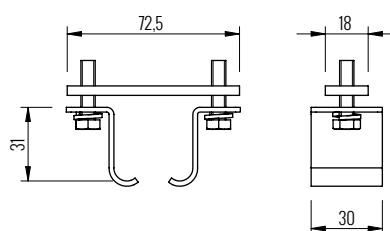
Material	Weight
Zinc-plated steel	0,325 kg

JOINT Ref. RG8003



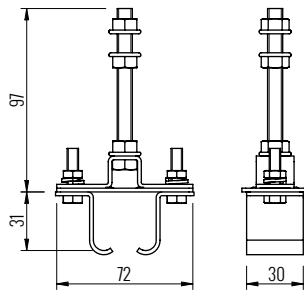
Material	Weight
Zinc-plated steel	0,140 kg

ADJUSTABLE SUPPORT Ref. R8003R



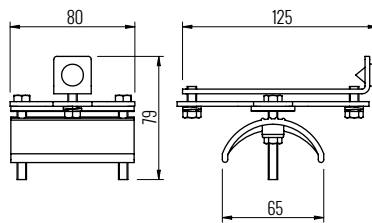
Material	Weight
Zinc-plated steel	0,160 kg

CEILING SUPPORT Ref. RG8003Z



Material	Weight
Zinc plated steel	0,225 kg

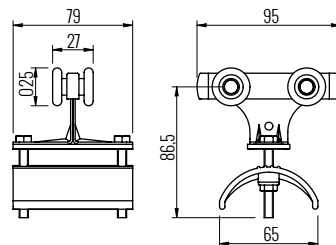
END CLAMP Ref. RG8004



Admissible load	Material	Weight
40 kg	Zinc plated steel casing Polyamide saddle 6.6 Rubber-metal stop	0,250 kg

Option with saddle made from zinc plated sheet
Ref. RG8004CH

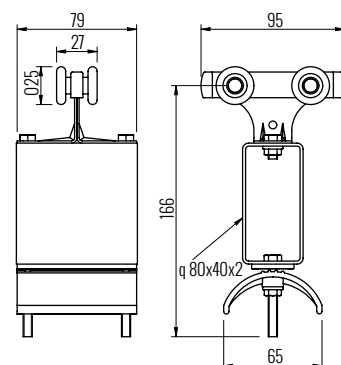
CABLE TROLLEY Ref. RG8005N



Admissible load	Material	Weight
40 kg	Zinc plated steel casing Polyamide saddle 6.6 Steel ball bearings	0,245 kg

Option with saddle made from zinc plated sheet
Ref. RG8005NCH

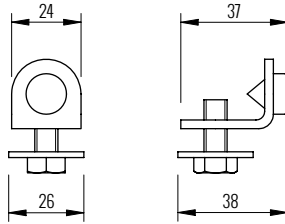
TOWING TROLLEY Ref. RG8006N



Admissible load	Material	Weight
40 kg	Zinc plated steel body Zinc plated steel tube Polyamide saddle 6.6 Steel ball bearings	0,558 kg

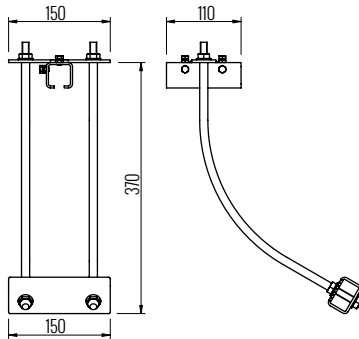
Option with saddle made from zinc plated sheet
Ref. RG8006NCH

FINAL STOP Ref. RG8007MS



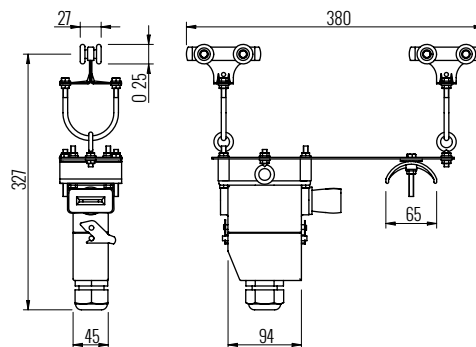
Material	Weight
Zinc plated steel	0,050 kg
Rubber-metal stop	

LOOP STOP Ref. RG8008



Material	Weight
Zinc plated steel casing	0,850 kg
Polyamide saddle 6.6 + fibreglass	
Threaded steel rod with transparent plastic sleeve	

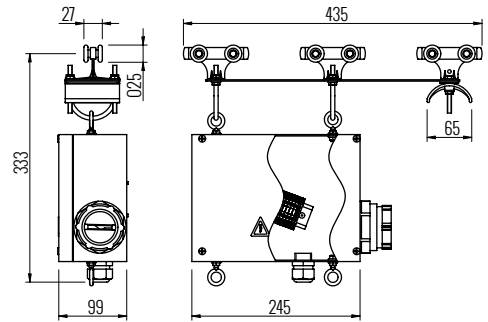
TOWING TROLLEY KEYPAD TERMINAL BOX 16 POLES Ref. RG8010NSC



Quick plug	Material	Weight
Standardized metallic male-female of 16 poles.	Zinc plated steel casing	3,040 kg
	Polyamide saddle 6.6	
	Steel ball bearings	

Option with saddle made from zinc-plated sheet
Ref. RG8010NSCCH

TOWING TROLLEY KEYPAD TERMINAL BOX 24 POLES Ref. RG8009N



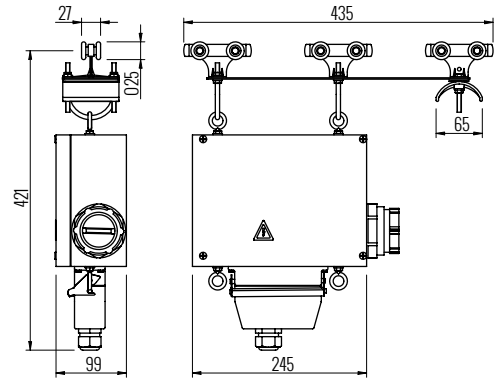
Glands	Material	Weight
Polyamide PG48 for flat cable Polyamide PG21 for terminal cable	Zinc plated steel casing Polyamide saddle 6.6 Steel ball bearings Plastic box of 245x185x99 mm 24 terminals in profile Ω	2,400 kg

Option with saddle made from zinc plated sheet Ref. RG8009NCH

TOWING TROLLEY TERMINAL BOX + QUICK PLUG:



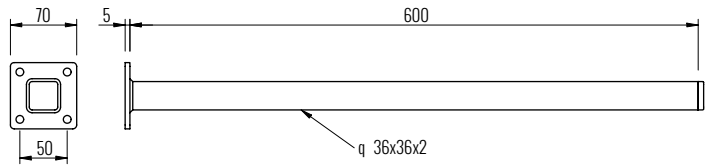
16 Poles **Ref. RG8010N**
24 Poles **Ref. RG8011N**



Quick plug	Glands	Material	Weight
Metallic male female standardized of 16 or 24 poles	Polyamide PG48 for flat cable	Zinc plated steel casing	16 poles
		Polyamide saddle 6.6	2,300 kg
		Steel ball bearings	24 poles
		Plastic box of 245x185x99 mm	2,550 kg

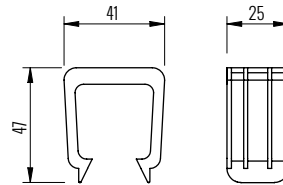
Option with saddle made from zinc plated sheet
Ref. RG2810CH
Ref. RG2811CH

TOWING ARM Ref. RG8014



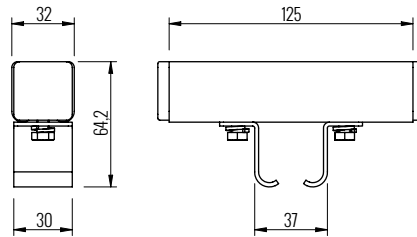
Material	Weight
Electro-welded and zinc-plated steel	1,180 kg

CABLE CLIPS Ref. RG8018



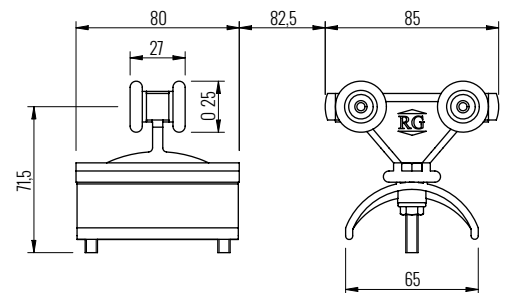
Material	Weight
Polyamide 6.6 + fibreglass	0,012 kg

CEILING SUPPORT Ref. RG8019



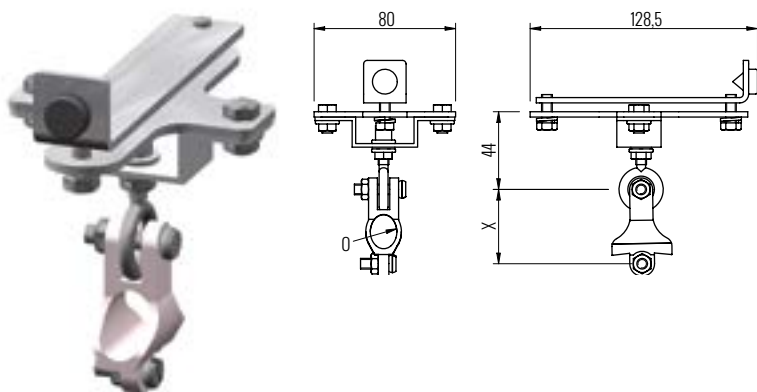
Material	Weight
Zinc-plated steel	0,175 kg

CABLE TROLLEY PLASTIC Ref. RG8665



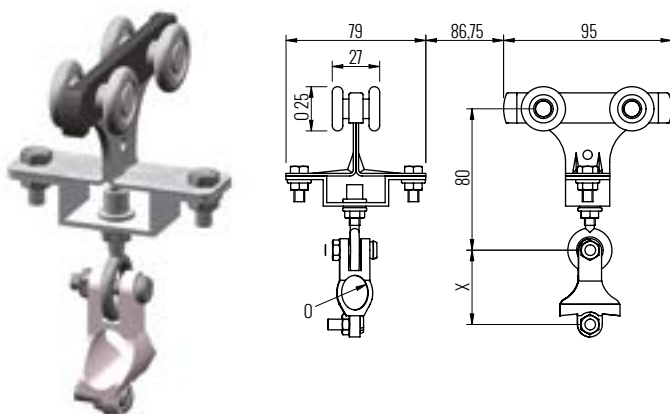
Admissible load	Material	Weight
25 kg	Polyamide body and saddle 6.6 Plastic wheels with steel axles	0,135 kg

END CLAMP FOR ROUND CABLES Ref. RG8004+*



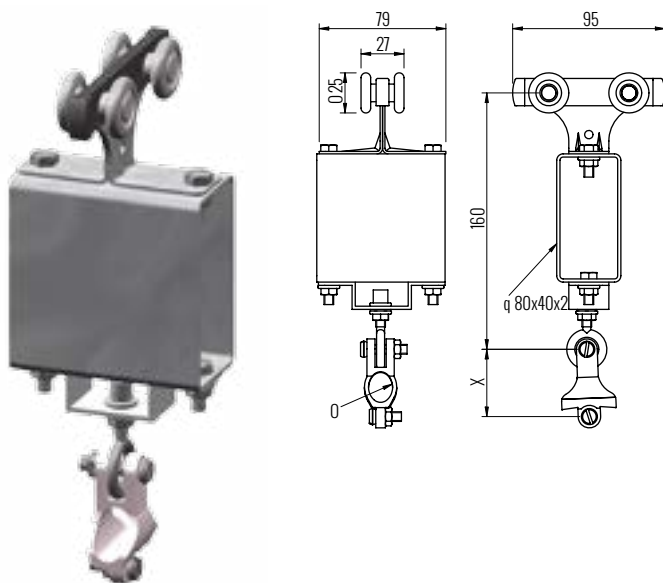
Admissible load	Material	Weight
20 kg	Zinc plated steel casing Steel ball bearings Zinc plated steel support Turning axle Ertalon PA Polyethylene cable supports	According to cable-support

END CLAMP FOR ROUND CABLES Ref. RG8005N+*



Admissible load	Material	Weight
20 kg	Zinc plated steel casing Steel ball bearings Zinc plated steel support Turning axle Ertalon PA Polyethylene cable supports	According to cable-support

END CLAMP FOR ROUND CABLES Ref. RG8006N+*

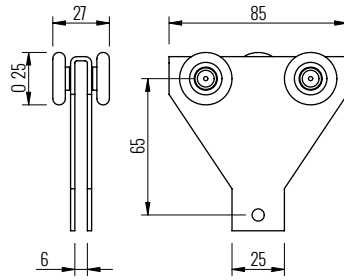


Admissible load	Material	Weight
20 kg	Zinc plated steel casing Steel ball bearings, Zinc plated steel support, Zinc plated steel tube Turning axle Ertalon PA Polyethylene cable supports	According to cable-support

*CABLE-SUPPORT		
Ref.	Ø (mm.)	X (mm.)
A	6-8	33
B	10-14,5	33
C	15-19,5	38
D	20-24,5	43
E	25-29,5	51
F	30-34,5	56
G	35-39,5	62

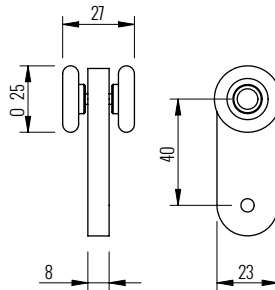
The complete reference of the trolley is: RG8005N+Ref. of the cable-support. For example RG8005N+C

CURTAIN TROLLEY Ref. RG8050



Admissible load	Material	Weight
50 kg	Zinc plated steel casing Steel ball bearings	0,190 kg.

TROLLEY FOR EXHIBITORS Ref. RG8085

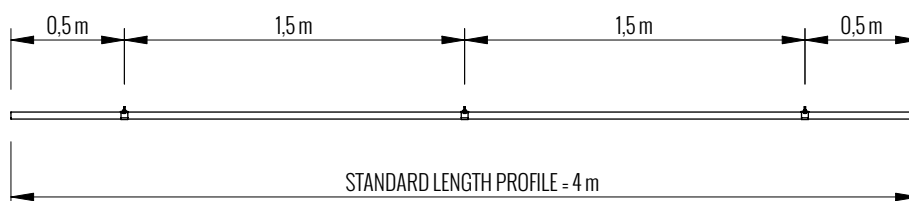


Admissible load	Material	Weight
40 kg	Zinc plated steel casing Steel ball bearings	0,125 kg.

SCHEMATIC DESCRIPTION OF ASSEMBLY SERIES 80



Supports to be installed approx. every 1.5 m (see diagram)



UNIVERSAL SUPPORT

We have **Double universal supports** to fix control and power at the same time. Consult us.

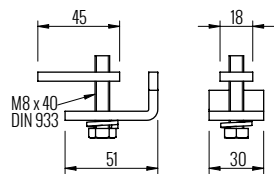
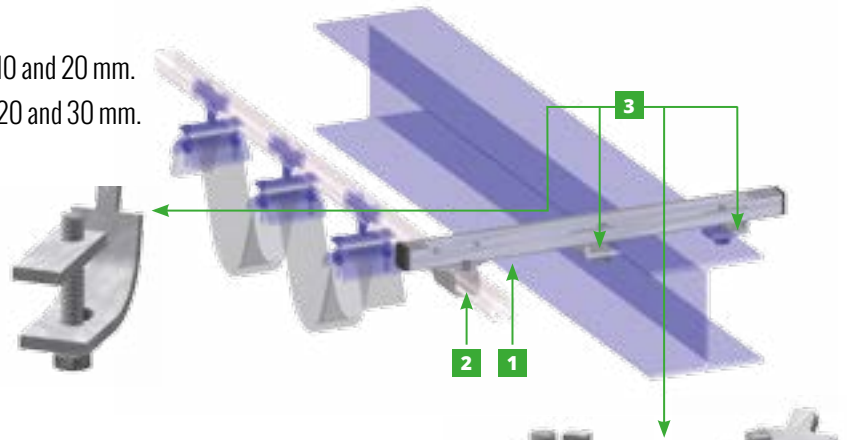
Ref. RG8013 for beams with flanges of thickness ≤ 10 mm.

Ref. RG8023 for beams with flanges of thickness between 10 and 20 mm.

Ref. RG8033 for beams with flanges of thickness between 20 and 30 mm.

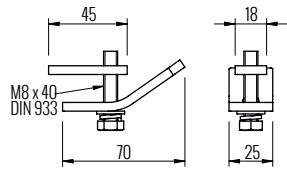
Series formed by:

- 1** Section 500 mm. of profile Ref. RG2801
- 2** 1 Adjustable support Ref. RG8003R
- 3** 2 Fixing tabs
 - For series RG2813 Ref. RG2812
 - For series RG2823 Ref. RG2821
 - For series RG28233 Ref. RG2830



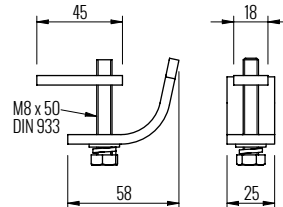
RG2812

Flange	Weight
≤ 10 mm	0,100 kg



RG2821

Flange	Weight
$10 \leq$ Flange ≤ 20 mm	0,100 kg



RG2830

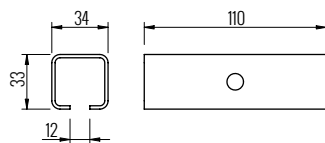
Flange	Weight
$20 \leq$ Flange ≤ 30 mm	0,150 kg

SYSTEM FOR WELDING SERIES 80 Ref. RG8015

We have **Double welding systems** to fix control and power at the same time. Consult us.

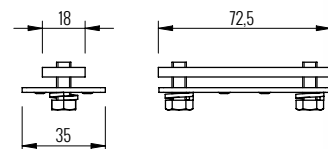
Series formed by:

- 1** Section 500 mm. of profile Ref. RG2801
- 2** 1 Corbel for welding Ref. RG2816
- 3** 1 Fixing clamp to corbel Ref. RG2817
- 4** 1 Adjustable support Ref. RG8003R



RG2816

Weight
0,200 kg



RG2817

Weight
0,150 kg

