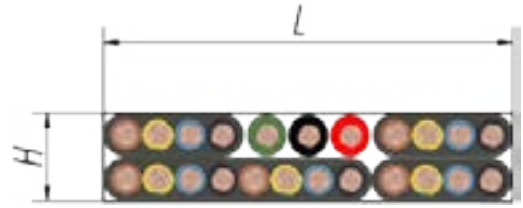


MAXIMUM CABLE BUNDLE: L x H = 92 x 30 mm

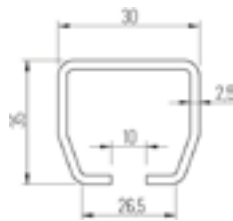
MAX DIAMETER. ROUND CABLE: 12 mm.

MAX. LOAD: 100 kg. per trolley

LENGTH OF PROFILES: 4 m

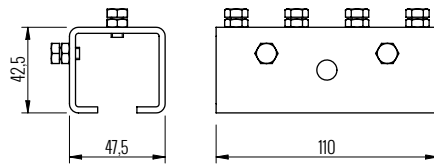


C PROFILE Ref. RG4001



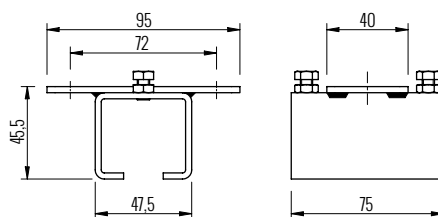
Longitud barras	Material	Weight
4 m	Galvanized steel	2,250 kg/m

JOINT Ref. RG4002



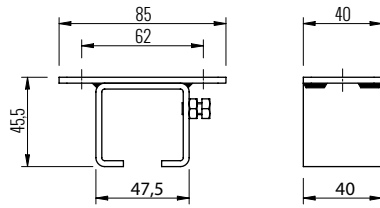
Material	Weight
Zinc-plated steel	0,414 kg

SUPPORT Ref. RG4003



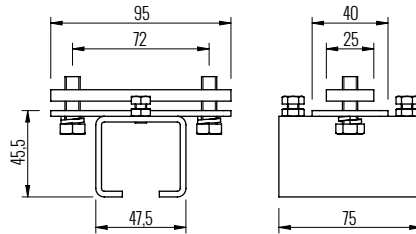
Material	Weight
Zinc-plated steel	0,360 kg

SUPPORT Ref. RG4003A



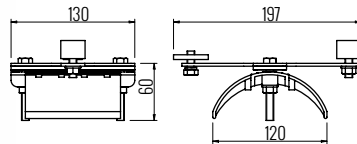
Material	Weight
Zinc plated steel	0,230 kg

ADJUSTABLE SUPPORT Ref. RG4003R



Material	Weight
Zinc plated steel	0,502 kg

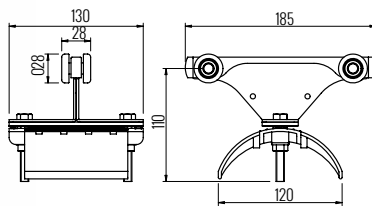
END CLAMP Ref. RG4004



Admissible load	Material	Weight
100 kg	Zinc plated steel casing Polyamide saddle 6.6 + fibreglass Rubber-metal stop	0,575 kg

Option with saddle made from zinc plated sheet
Ref. RG4004CH

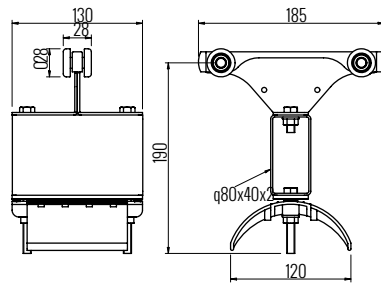
CABLE TROLLEY Ref. RG4005



Admissible load	Material	Weight
100 kg	Zinc plated steel casing Polyamide saddle 6.6 + fibreglass Steel ball bearings	0,885 kg

Option with saddle made from zinc plated sheet
Ref. RG4005CH

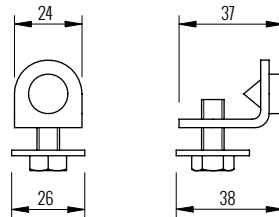
TOWING TROLLEY Ref. RG4006



Admissible load	Material	Weight
100 kg	Zinc plated steel casing Zinc plated steel tube Polyamide saddle 6.6 + fibreglass Steel ball bearings	0,558 kg

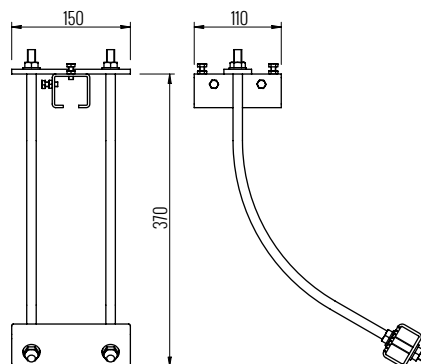
Option with zinc plated saddle: Ref. RG4006CH

END STOP Ref. RG4007MS



Material	Weight
Zinc plated steel Rubber-metal stop	0,112 kg

CABLE LOOP STOP Ref. RG4008



Material	Weight
Zinc plated steel casing Polyamide saddle 6.6 + fibreglass Threaded rod with transparent plastic covering	1,125 kg

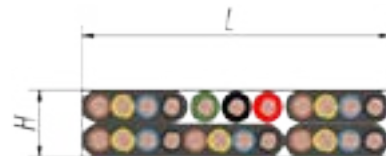
SERIES 40 TROLLEYS WITH TYPEA SADDLE

MAXIMUM CABLE BUNDLE:

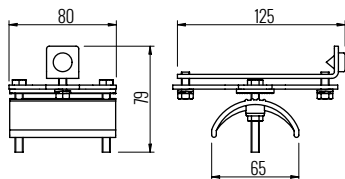
L x H = 56 x 15 mm

MAX. LOAD:

100 kg. per trolley



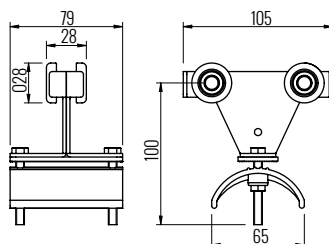
END CLAMP Ref. RG4104



Admissible load	Material	Weight
100 kg	Zinc plated steel casing Polyamide saddle 6.6 + fibreglass Rubber-metal stop	0,250 kg

Option with saddle made from zinc plated sheet
Ref. RG4104CH

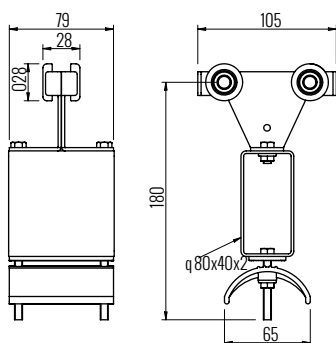
CABLE TROLLEY Ref. RG4105



Admissible load	Material	Weight
100 kg	Zinc plated steel casing Polyamide saddle 6.6 + fibreglass Steel ball bearings	0,255 kg

Option with saddle made from zinc plated sheet
Ref. RG4105CH

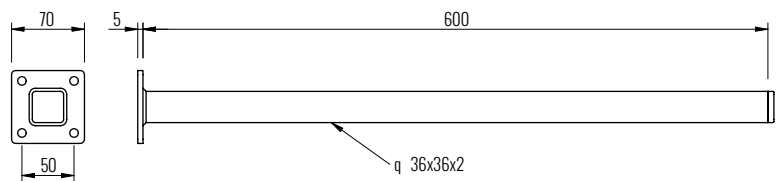
TOWING TROLLEY Ref. RG4106



Admissible load	Material	Weight
100 kg	Zinc plated steel casing Zinc plated steel tube Polyamide saddle 6.6 + fibreglass Steel ball bearings	0,570 kg

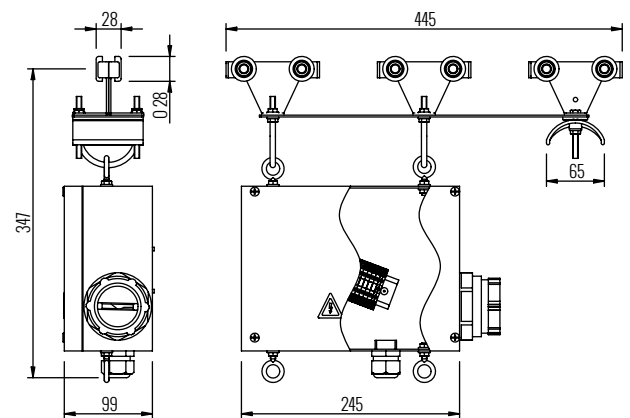
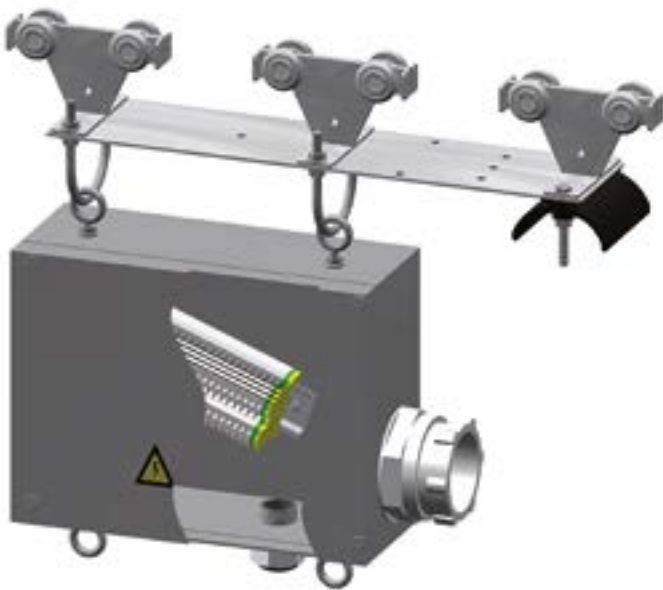
Option with saddle made from zinc plated sheet
Ref. RG4106CH

TOWING ARM Ref. RG4014



Material	Weight
Electro-welded and zinc-plated steel	1,180 kg

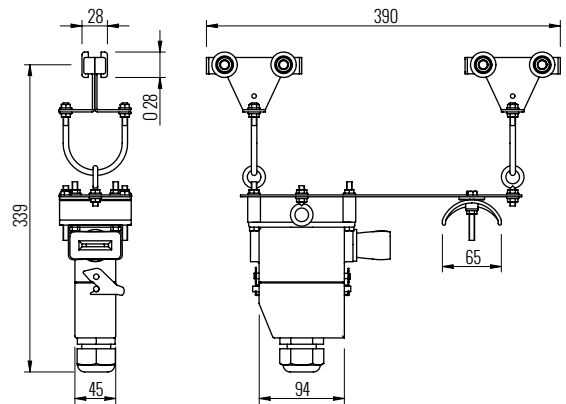
PENDANT STATION TOWING TROLLEY WITH CONNECTION BOX 24 POLES Ref. RG4109



Glands	Material	Weight
Polyamide PG48 for flat cable	Zinc plated steel body	3,550 kg
Polyamide PG21 for cable connection box	Polyamide saddle 6.6 + fibreglass	
	Steel ball bearings	
	Plastic box of 245x185x99 mm 24 terminals placed in DIN-OMEGA rail	

Option with saddle made from zinc plated sheet Ref. RG4109CH

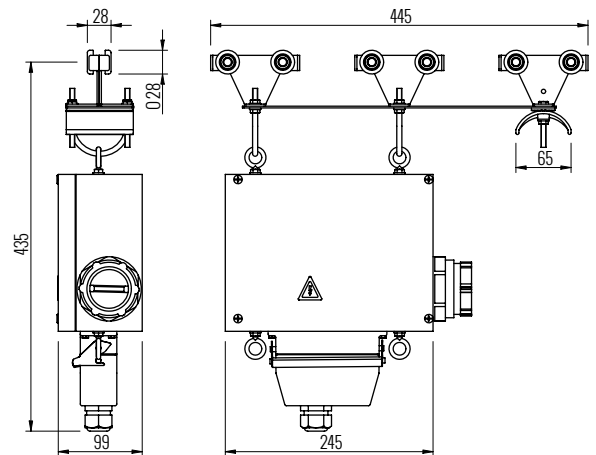
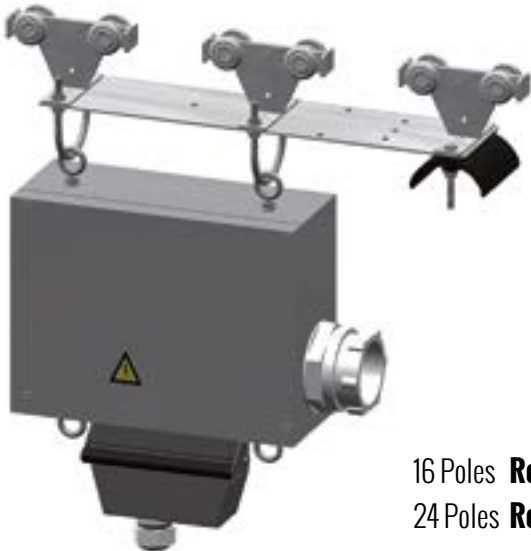
PENDANT STATION TOWING TROLLEY WITH PLUG + SOCKET 16 POLES Ref. RG4110SC



Quick plug	Material	Weight
Standardized metallic male-female of 16 poles	Zinc plated steel casing Polyamide saddle 6.6 Steel ball bearings	2,950 kg

Option with saddle made from zinc plated sheet Ref. RG4110SCCH

PENDANT STATION TOWING TROLLEY WITH CONNECTING BOX + PLUG AND SOCKET:



16 Poles **Ref. RG4110**
24 Poles **Ref. RG4111**

Quick plug	Glands	Material	Weight
Metallic male female standardized of 16 or 24 poles	Polyamide PG48 for flat cable	Zinc plated steel casing Polyamide saddle 6.6 + fibreglass	16 poles 4,010 kg
		Steel ball bearings Plastic box of 245x185x99 mm	24 poles 4,790 kg

Option with saddle made from zinc plated sheet
Ref. RG4110CH
Ref. RG4111CH

SOPORTE UNIVERSAL

We have **Double universal supports** to fix control and power at the same time. Consult us.

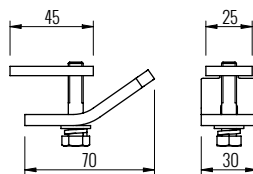
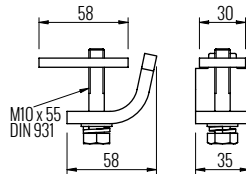
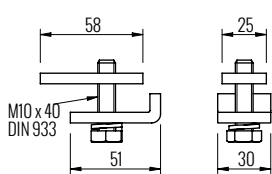
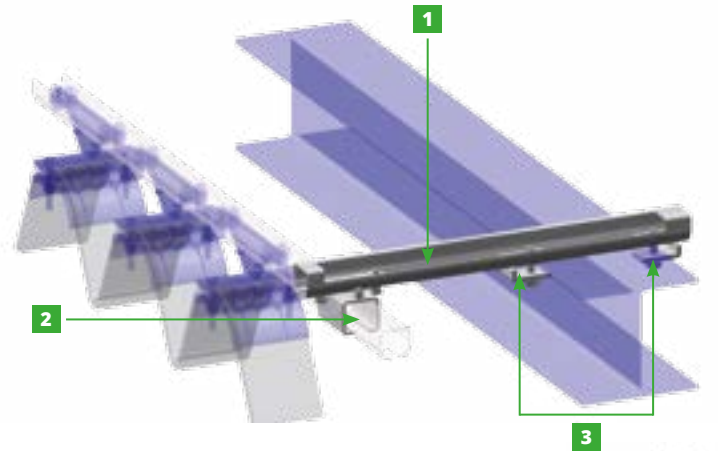
Ref. RG4013 for beams with flanges of thickness ≤ 10 mm.

Ref. RG4023 for beams with flanges of thickness between 10 and 20 mm.

Ref. RG4033 for beams with flanges of thickness between 20 and 30 mm.

Series formed by:

- 1 Section 500 mm. of profile Ref. RG4001
- 2 1 Adjustable support Ref. RG4003R
- 3 2 Fixing tabs:
 - For series RG2813 Ref. RG8012
 - For series RG2823 Ref. RG8021
 - For series RG2833 Ref. RG8030



RG8012

Flange	Weight
≤ 10 mm	0,150 kg

Option with saddle made from zinc plated sheet
Ref. RG8012CH

RG8021

Flange	Weight
$10 \leq \text{Flange} \leq 20$ mm	0,150 kg

Option with saddle made from zinc plated sheet
Ref. RG8021CH

RG8030

Flange	Weight
$20 \leq \text{Flange} \leq 30$ mm	0,150 kg

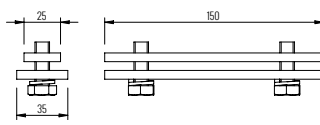
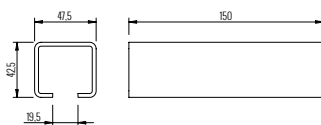
Option with saddle made from zinc plated sheet
Ref. RG8030CH

SYSTEM FOR WELDING SERIES 40 Ref. RG4015

We have **Double welding systems** to fix control and power at the same time. Consult us

Series formed by:

- 1 Section 500 mm. of profile Ref. RG4001
- 2 1 Corbel for welding Ref. RG4016
- 3 1 Fixing clamp to corbel Ref. RG4017
- 4 1 Adjustable support Ref. RG4003R



RG4016

Weight
0,200 kg

RG4017

Weight
0,150 kg

